

PRODUCT INFORMATION PACKET

Model No: 5KC38PN2509X

Catalog No: C1170

3/4 HP Jet Pump Motor, 1 phase, 3600 RPM, 115/230 V, 56Y Frame, ODP
Jet Pump Motors



Regal and Marathon are trademarks of Regal Beloit Corporation or one of its affiliated companies.
©2020 Regal Beloit Corporation, All Rights Reserved. MC017097E

REGAL



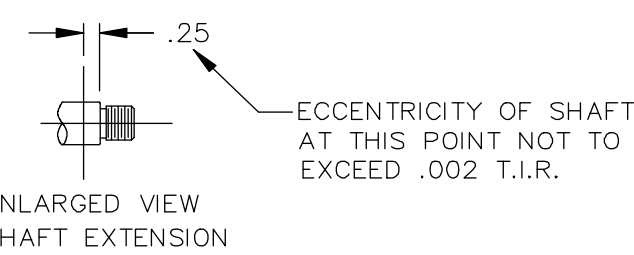
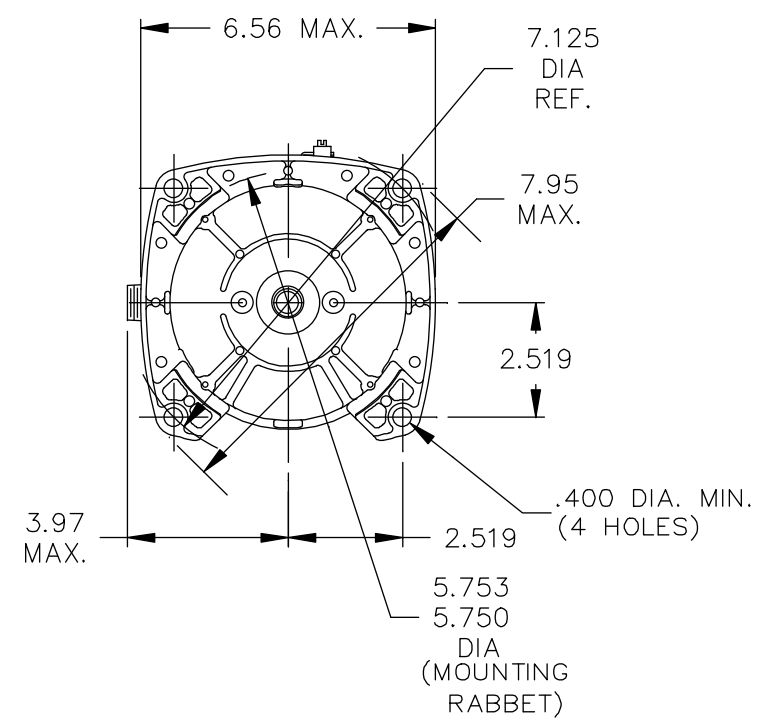
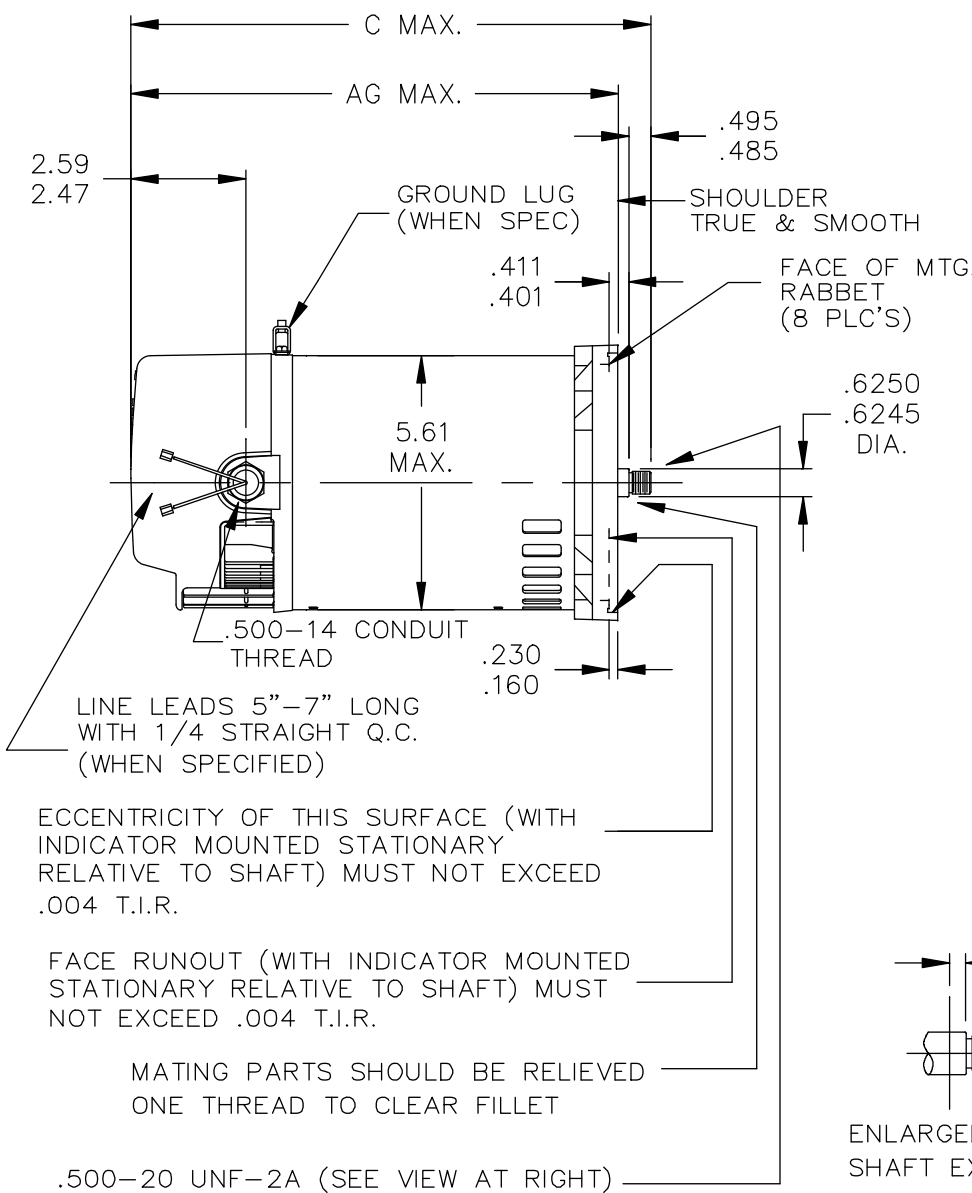
Nameplate Specifications

Output HP	0.75 Hp	Output KW	0.56 kW
Frequency	60 Hz	Voltage	115/230 V
Current	12.6,6.3 A	Speed	3450 rpm
Service Factor	1.65	Phase	1
Efficiency	68.2 %	Power Factor	0
Duty	Continuous	Insulation Class	B
KVA Code	P	Frame	56Y
Enclosure	Drip Proof	Thermal Protection	AUTO
Ambient Temperature	50 °C	Drive End Bearing Size	6203
Opp Drive End Bearing Size	6203	UL	Recognized
CSA	Yes	CE	N

Technical Specifications

Electrical Type	Capacitor Start Induction Run	Starting Method	SM
Poles	2	Rotation	Clockwise
Mounting	Round	Motor Orientation	ANY
Drive End Bearing	LOCKED	Opp Drive End Bearing	Ball
Frame Material	Rolled Steel	Overall Length	12.59 in
Frame Length	7.22 in	Shaft Diameter	0.630 in
Shaft Extension	0.265 in		
Outline Drawing	52A107191P2	Connection Drawing	52A106889

This is an uncontrolled document once printed or downloaded and is subject to change without notice. Date Created:03/11/2020



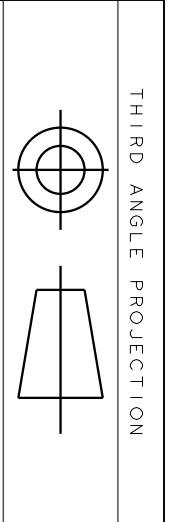
ECCENTRICITY OF THIS SURFACE (WITH INDICATOR MOUNTED STATIONARY RELATIVE TO SHAFT) MUST NOT EXCEED .004 T.I.R.

FACE RUNOUT (WITH INDICATOR MOUNTED STATIONARY RELATIVE TO SHAFT) MUST NOT EXCEED .004 T.I.R.

MATING PARTS SHOULD BE RELIEVED ONE THREAD TO CLEAR FILLET

2	KC	38	56Z	12.59	11.86	7.22
1	KC	36	56Z	11.59	10.86	6.22
P	TYPE	RBC SIZE	NEMA FR	C	AG	SHELL REF.

NO.	REVISION	BY & DATE	TOLERANCES UNLESS SPECIFIED		CHK	DRAWING NO.	REV.
			DEC.	INCHES			
6	JET/POOL IS REPLACED BY JET PUMP PER ECO-0033464	PVR 05/15/13	DS	DEC.	INCHES	REGAL-BELOIT CORPORATION	APPD BLJ 09/09/91
5	ADDED DIM 7.95 MAX. PER IS06-1166.	SUD 08/03/06	.X	±.1			SCALE 3=8
4	CHG TO RBC FORMAT PER IS05-1777	SUD 02/22/06	.XX	±.03	TITLE	OUTLINE	REF
3	REVISED PER TI95-21,753.	MDP 04/27/95	.XXX	±.005	TITLE	2 COMPARTMENT UPGRADE - 56Z - JET PUMP	REF
2	REV. PER (TI94-21348 & 348A)	MAM 09/28/94	.XXXX	±.0005	MAT'L.		FMF
			CHK	ANG	±1/2'	FINISH	PREV
THIS DRAWING IN DESIGN AND DETAIL IS OUR PROPERTY AND MUST NOT BE USED EXCEPT IN CONNECTION WITH OUR WORK ALL RIGHTS OF DESIGN AND INVENTION ARE RESERVED THIS IS AN ELECTRONICALLY GENERATED DOCUMENT - DO NOT SCALE THIS PRINT			RFP	CAD FILE	52A107191	SIZE	A
			DIST			DRAWING NO.	52A107191
						REV.	6

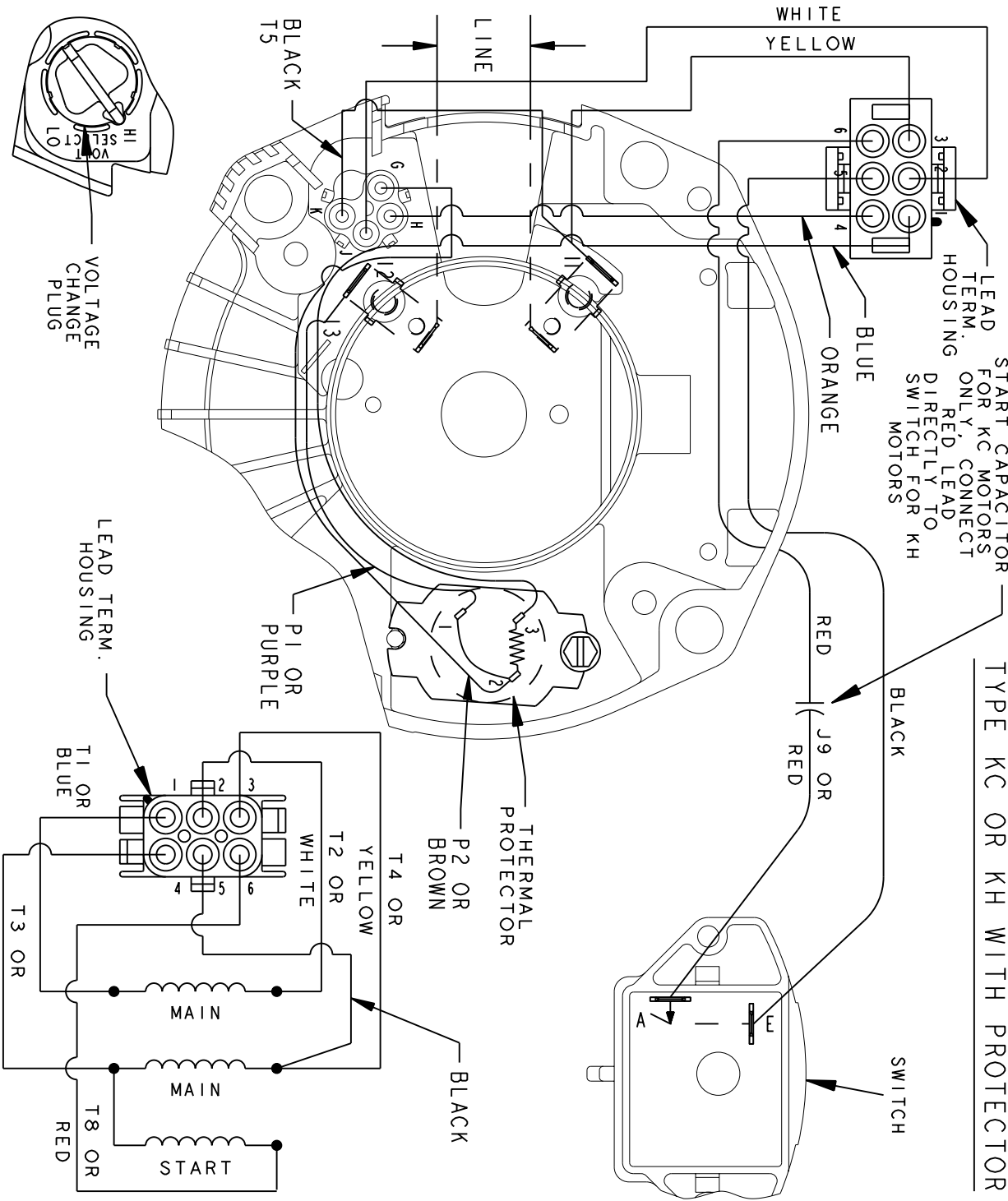


THIRD ANGLE PROJECTION

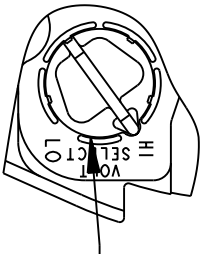
REVISIONS

REV.	DESCRIPTION	DATE	APPROVED
2	UPDATED TO RBC FORMAT	01/11/06	MAM

SET ROTATION - DUAL VOLTAGE
TYPE KC OR KH WITH PROTECTOR



NOTE#1 - HI VOLTAGE SHOWN FOR LOW VOLTAGE
ROTATE VOLTAGE CHANGE FOR LOW VOLTAGE TO LO POSITION.



CONNECTION LABEL - 52X333027

SIGNATURES	DATE
MODEL B.L.J.	07/21/92
DETAIL	
CHECKED	
ENGRG	
MFG	
QUALITY	
ISSUED	B.L.J. 07/21/92
MATERIAL	SOLID MODEL: 52A106889



REGAL-BELOLT CORPORATION

TITLE CONNECTION DIAGRAM

FMF: 2 COMPARTMENT DUAL VOLT, SET ROTATION

SIZE DRAWING A

SCALE: 1.000 REF. No.

52A106889

REVISION 2

SHEET 1 of 1